

MPR-2080 (869 MHz)



Sentinel-Sense™ MPR-2080

AWID's MPR family of UHF RFID readers can decode EPC, U-Code, EM Micro, ISO-18000-6 Type A & B, AIAG and MH10 Protocols. This true multi-protocol capability ensures that most SCM (Supply Chain Management) investment with AWID's MPR readers will have a migration path for most emerging industry standards.

The Sentinel-Sense MPR-2080 is an integrated reader that combines the functions of transmitter, receiver and antenna in a single 8×9.5 ×1.125 inch package. Designed for both indoor, outdoor item/asset management applications, MPR-2080 comes with a circular polarized antenna to ensure capturing tags in random orientations. MPR-2080 also comes with powerful multi-tag arbitration algorithms to allow simultaneous read of multiple tags in the antenna's field of view.

Ideally suited to long-range material flow monitoring and/or item identification applications, MPR-2080 can monitor and report assets traffic to a central station on a real-time basis. MPR-2010 is designed with industry-standard RS-232 output interface, and an optional internal RS-232 to RS-485 converter or an additional TCP/IP interface module to allow Internet connectivity of the reader.

When connected to a data concentrator from AWID, MPR-2080 can provide the flexibility of erecting a two (2) to five (5) antennas portal reader. This will also enable high capture rate with multiple redundancy to ensure there will be no blind spots due to failure of a single reader.

Features

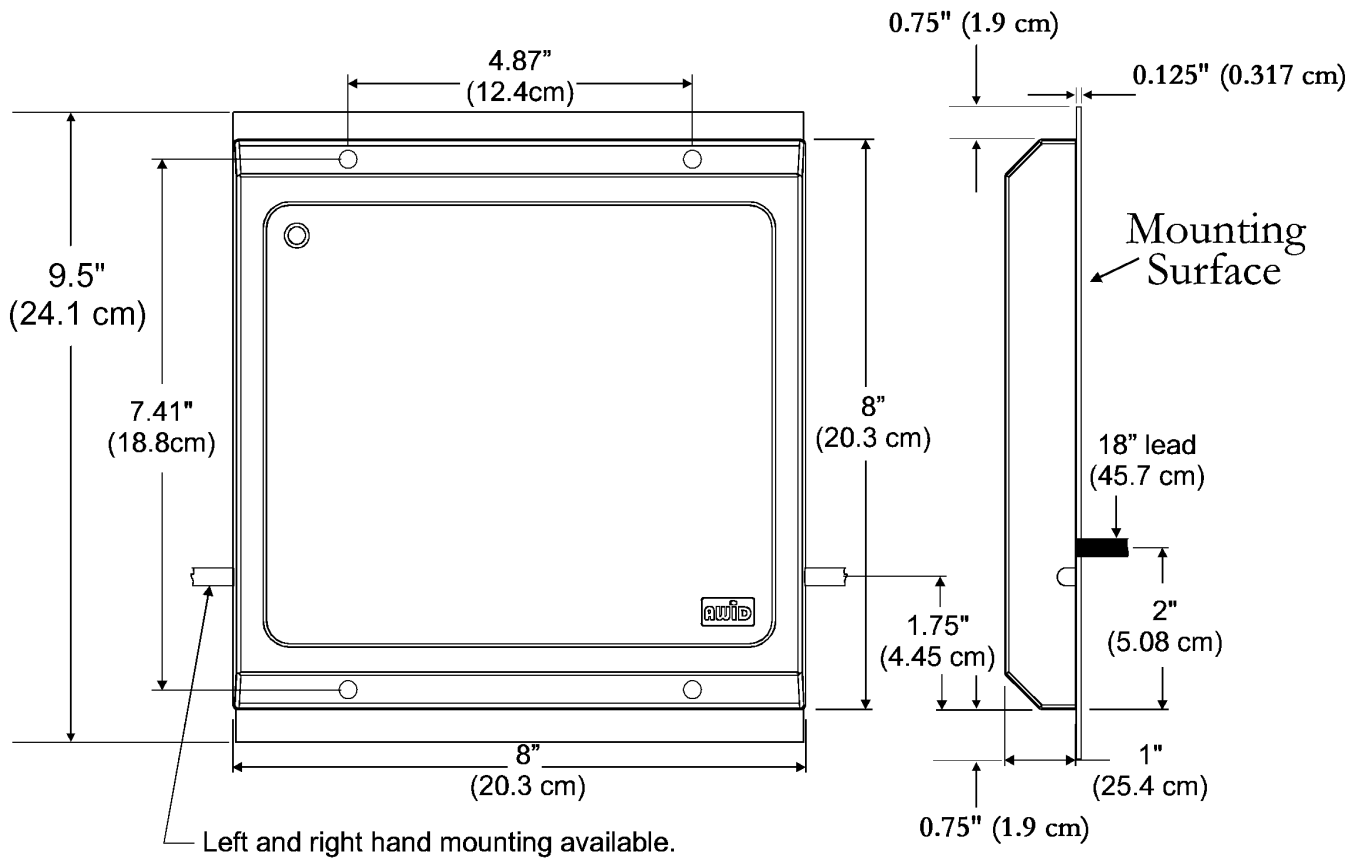
- Read range of 1.2 to 2.1 meters (4 to 7 feet)
- Multi-protocol – EPC, U-Code, ISO-18000-6, EM Micro, AIAG and MH10
- License-Free ISM band operation, 869.5 MHz, 0.5 Watt RF power
- RS-232 output interface with optional RS-485 converter or TCP/IP adapter
- Circular polarized antenna with 1.2:1 VSWR and minimum H/V differentials
- Wide supply range, 6.5 VDC at 500 mA, to 15 VDC to 250 mA
- Electronics packaged in moisture-proof enclosures for indoor/outdoor applications

Your source for a full spectrum of readers and tags for the RFID industry

Specifications

MPR-2080

Frequency:	869.5 MHz, Fixed Frequency
RF (ERP) Power:	0.50 Watt (+27 dBm)
Read Range:	1.2 to 2.1 meters (4 to 7 feet)
Protocol:	EPC, ISO-18000, U-Code, EM Micro, AIAG and MH10
Multi-tag Read:	25-100 Tags per Second (Protocol dependent)
Polarization:	Circular Polarization, Optional – Vertical or Horizontal
Write Range:	60% of Read range
I/O Control:	Standard - RS-232, Optional - RS-232 to RS-485 converter
Power Supply:	6.5 VDC @ 500 mA to 15 VDC @ 250 mA
Operating Temperature:	-20° to +50° C (-4° to +122° F)
Storage Temperature:	-35° to +70° C (-31° to +158° F)
Humidity:	0-95%, Non-Condensing
Size:	20.32 × 24.13 × 2.85 cm, (8.0 × 9.5 × 1.125 inches)
Weight:	1,575 g (3.5 lb)



August 20, 2003

Disclaimer:

Specifications subject to change without notice. AWID reserves the right to make changes to improve performance without impacting form, fit or function



Hong Kong
Tel: 852-23702227
Fax: 852-23702054
sales@sysscan.com.hk

China & Hong Kong
Guangzhou
Tel: 86-20-87591553
Fax: 86-20-87598472
gz_sales@sysscan.com.hk

Shanghai
Tel: 86-21-62825319
Fax: 86-21-62825283
sh_sales@sysscan.com.hk

www.sysscan.com.hk or www.sysscan.com.cn



訊天物流有限公司